

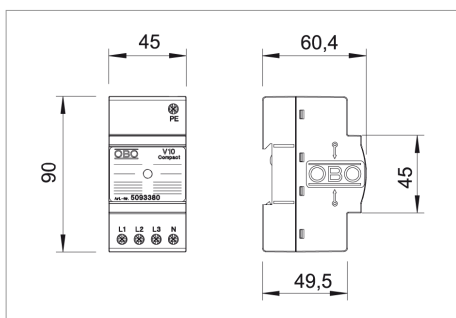
Technical data sheet

Surge arrester Compact 385 V



Surge arrester, Type 2+3 to EN 61643-11 (Class C+D to VDE 0675 Parts 6-11)

- Suitable for TN and TT network systems
- Integrated 3+1 solution
- Incl. thermal and dynamic cut-off unit
- With visual function display
- High current conductivity with long lifespan
- Labelled connections
- Separation unit only 45 mm



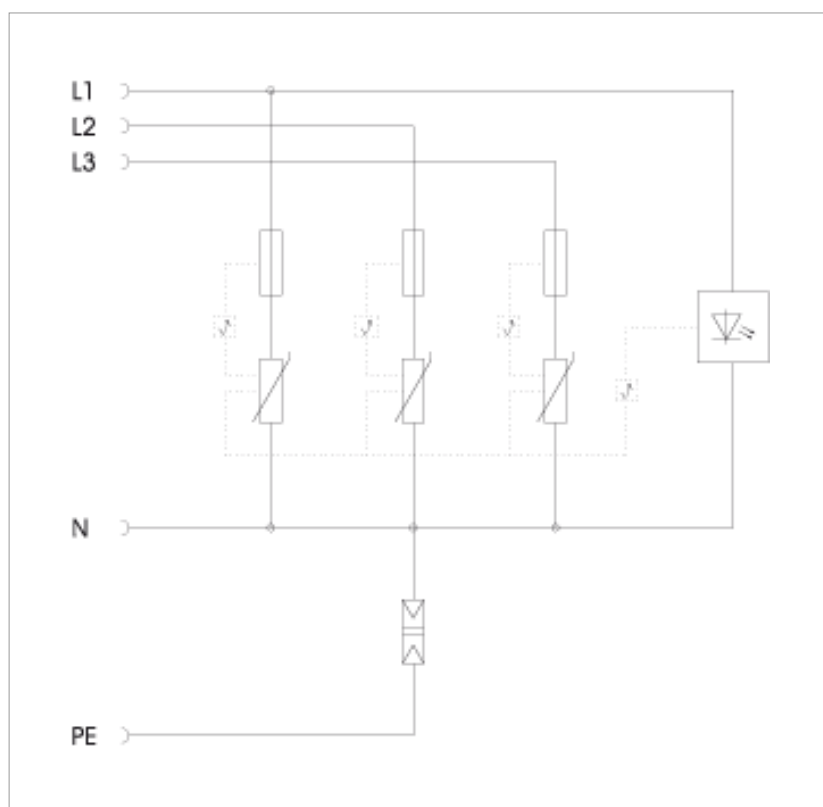
Application: Industrial, housing and protection of rotary current systems

Type	Max. continuous operating voltage V	Version	Pack. pcs	Weight kg/100 pcs.	Art.-No.
V10 COMPACT 150	150	3 + NPE	1	15.800	5093378
V10 COMPACT 255	255	3 + NPE	1	15.800	5093380
V10 COMPACT 385	385	3 + NPE	1	16.800	5093384



/pc.

Connection-/Circuit diagram



Article number			5093378	5093380	5093384
Nominal voltage	U_N	V	130	230	385
SPD to EN 61643-11			Type 2+3	Type 2+3	Type 2+3
SPD to IEC 61643-11			class II+III	class II+III	class II+III
Lightning protection Zone LPZ			1-3	1-3	1-3
Nominal discharge current (8/20)	I_n	kA	10	10	10
Arrestor surge current (8/20) [total]	$I_{Total\ 8/20}$	kA	60	60	60
Maximum discharge current	I_{max}	kA	20	20	20
Voltage protection level	U_p	kV	< 0,7	< 1,1	< 1,5
Response time	t_A	ns	< 25	< 25	< 25
Maximum back-up fuse		A	63	63	63
Temperature range	ϑ	°C	-40 - +80	-40 - +80	-40 - +80
Division unit TE (17.5 mm)			2.5	2.5	2.5
Connection cross-section, rigid		mm ²	2.5 - 10	2.5 - 10	2.5 - 10
Connection cross-section, multi-wire		mm ²	2.5 - 10	2.5 - 10	2.5 - 10
Connection cross-section, flexible		mm ²	2.5 - 10	2.5 - 10	2.5 - 10

Legend



Russia, GOST The State Committee for Standards



5-year warranty



Communautés Européennes, EC declaration of conformity according to EC directives



Transition from LPZ 1 to LPZ 3



Protection device to DIN EN 61643-11 or IEC 61643-11