

# Technical data sheet

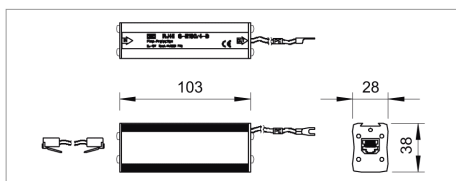
## Combination arrester for 4-wire information technology systems with RJ45



Data cable protection device for information technology systems

- In aluminium housing
- RJ 45 Connector
- Incl. 150 mm connecting cable with RJ 45 connectors
- Simple mounting using adapter plug
- Two-stage protective circuit

Application: Twisted pair, control circuits, communication cables

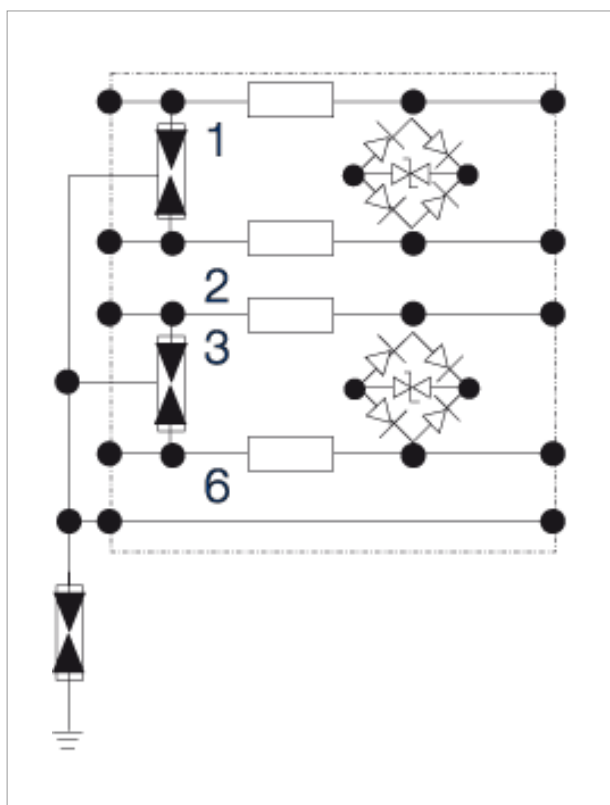


Type	Version	Connection system	Pack. pcs	Weight kg/100 pcs.	Art.-No.
RJ45 S-E100 4-B	Basic protection, 4 wires		1	14.000	5081726
RJ45 S-E100 4-C	Combi protection, 4 wires		1	14.000	5081734
RJ45 S-E100 4-F	Fine protection, 4 wires		1	14.000	5081742

/pc.



## Connection-/Circuit diagram



Article number			5081726	5081734	5081742
U max DC	$U_c$ DC	V	170	6.2	6.2
Lightning protection Zone LPZ			0→2	0→2	2→3
Impulse discharge current (10/350)	$I_{imp}$	kA	1,5	1,5	-
Nominal discharge current (8/20)	$I_n$	kA	7.5	7.5	7,5 / 0,5
Transmission frequency		f	155 MHz	70 MHz	100 MHz
Insertion loss	a/dB	dB	0,3 @ 100 MHz	5 @ 100 MHz	3 @ 100 MHz
Series resistance	R	ohm	-	4,7	-
Protection level (sym.) with In C2			≤500 V	≤12 V	≤12 V
Protection level (asym.) with In C2			≤800 V	≤800 V	≤800 V
Protection level (asym.) with 1 kV/μs C3			≤500 V	≤8 V	≤8 V
Protection rating			IP 40	IP 40	IP 40

## Legend



Russia, GOST The State Committee for Standards



5-year warranty



Communautés Européennes, EC declaration of conformity according to EC directives



Transition from LPZ 0 to LPZ 2



Transition from LPZ 2 to LPZ 3