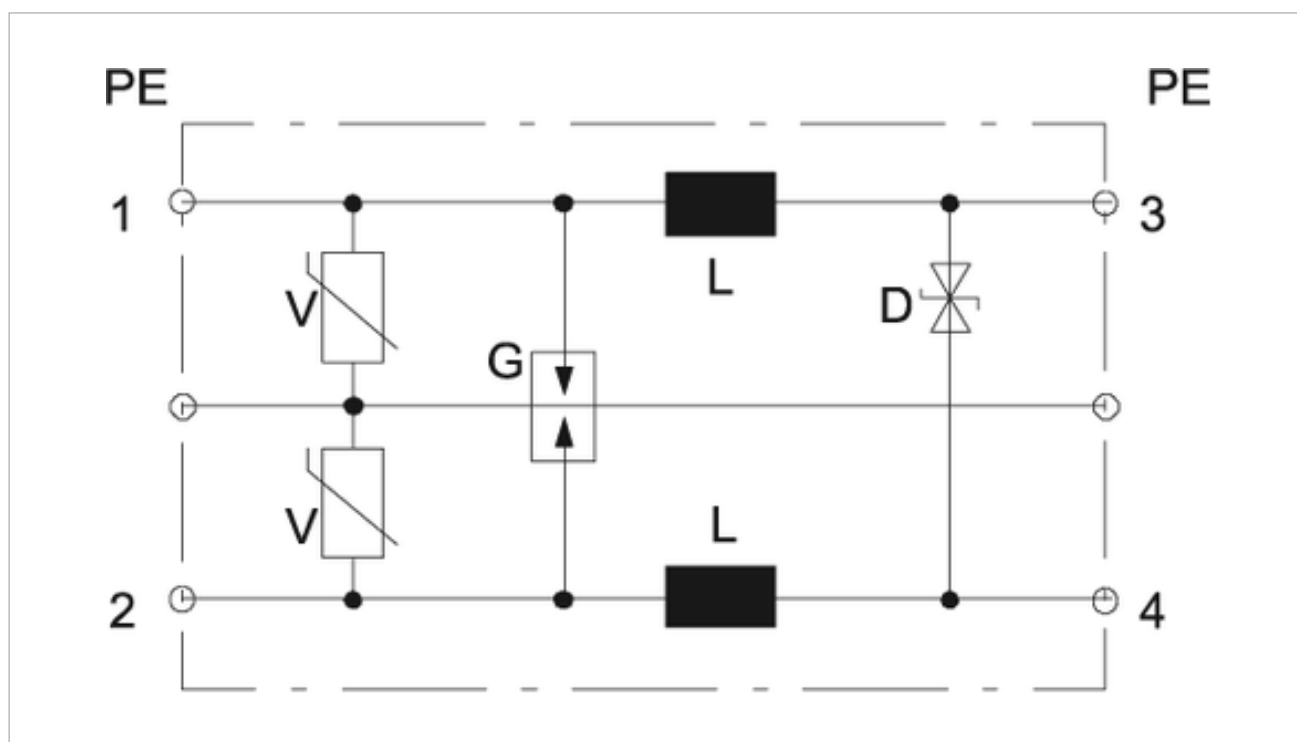


Connection-/Circuit diagram



Article number		5098600	5098603	5098611	5098630	5098638	5098646
Maximum continuous operating voltage Vc/AC	V	5	9	19	37	65	86
Maximum continuous voltage Vc/DC	V	8	13	28	53	93	122
Lightning protection Zone LPZ		0→3	0→3	0→3	0→3	0→3	0→3
Number of poles		2	2	2	2	2	2
Rated current	I_L A	1	1	1	1	1	1
Series induction per path	μH	120 ± 20 %	120 ± 20 %	120 ± 20 %	120 ± 20 %	120 ± 20 %	120 ± 20 %
Impulse durability line-earth		C2: 10 kV / 5 kA	C2: 10 kV / 5 kA	C2: 10 kV / 5 kA	C2: 10 kV / 5 kA	C2: 10 kV / 5 kA	C1: 1 kV / 0,5 kA
Total impulse durability (10/350)	kA	D1: 3	D1: 3	D1: 3	D1: 3	D1: 3	D1: 3
Total arrester peak current (8/20)	kA	10	10	10	10	10	10
Voltage protection level line-line	V	15	30	60	140	160	300
Voltage protection level line-earth	V	600	600	600	600	600	600
Shielding connection available		No	No	No	No	No	No
Shield connection		-	-	-	-	-	-
Temperature range	ϑ °C	-40 - +80	-40 - +80	-40 - +80	-40 - +80	-40 - +80	-40 - +80
Division unit TE (17.5 mm)		1	1	1	1	1	1
Connection cross-section, flexible	mm ²	0.14 - 2.5	0.14 - 2.5	0.14 - 2.5	0.14 - 2.5	0.14 - 2.5	0.14 - 2.5

Connection-/Circuit diagram

Connection cross-section, multi-wire	mm ²	0.14 - 2.5	0.14 - 2.5	0.14 - 2.5	0.14 - 2.5	0.14 - 2.5	0.14 - 2.5
Connection cross-section, rigid	mm ²	0.14 - 2.5	0.14 - 2.5	0.14 - 2.5	0.14 - 2.5	0.14 - 2.5	0.14 - 2.5
Testing standard		IEC 61643- 21	IEC 61643- 21	IEC 61643- 21	IEC 61643- 21	IEC 61643- 21	IEC 61643- 21

Legend



Russia, GOST The State Committee for Standards



Underwriters Laboratories Inc., USA



5-year warranty



Communautés Européennes, EC declaration of conformity according to EC directives



Transition from LPZ 0 to LPZ 3



Measuring, controlling and regulating systems