

# Technical data sheet

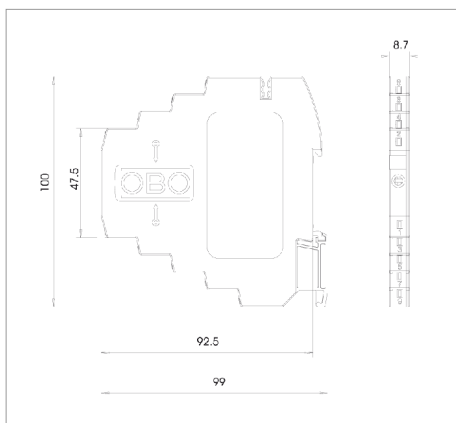
## Series protection device, 4-pole, 48 V version



MDP.../D...T: lightning barriers with test function

- Protection device for multi-wire systems
- Direct screen earthing
- With easy-to-mount, screwless connection terminals
- Space-saving width of just 8.1 mm
- Protective circuit testable with Life Control
- High bandwidth to 100 MHz

Application: universal use on 35 mm hat profile rail in any standard distributor housing.

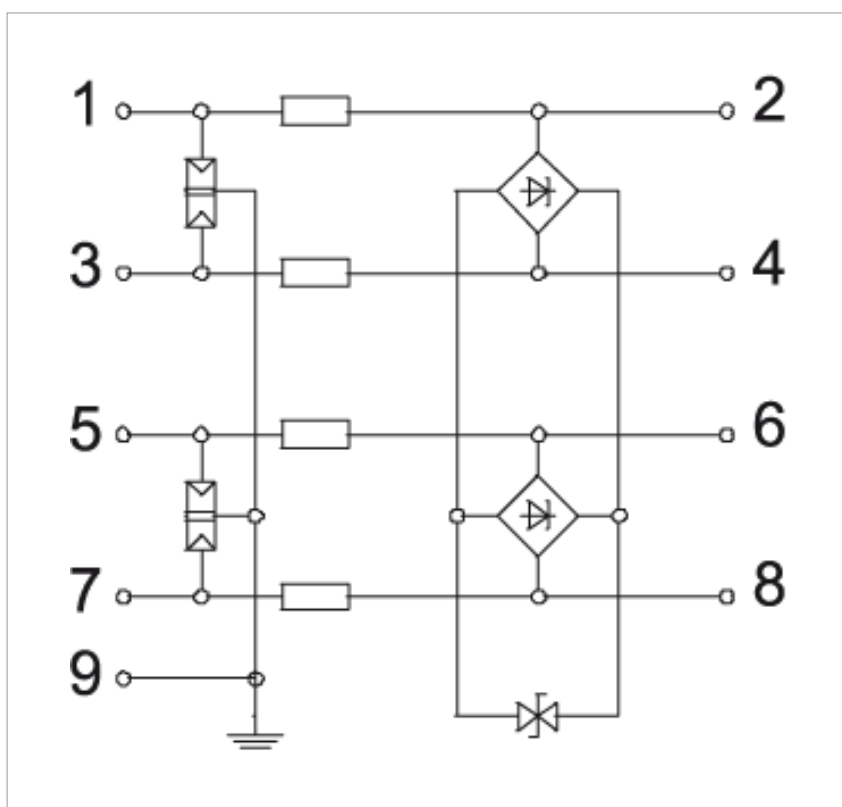


Type	Maximum continuous operating voltage Vc/AC V	Maximum continuous voltage Vc/DC V	Number of poles	Connection system	Pack. pcs	Weight kg/100 pcs.	Art.-No.
MDP-2 D-48-T	41	58	2	Terminal	1	6.000	5098442
MDP-3 D-48-T	41	58	3	Terminal	1	6.000	5098446
MDP-4 D-48-T	41	58	4	Terminal	1	5.800	5098450

/pc.



## Connection-/Circuit diagram

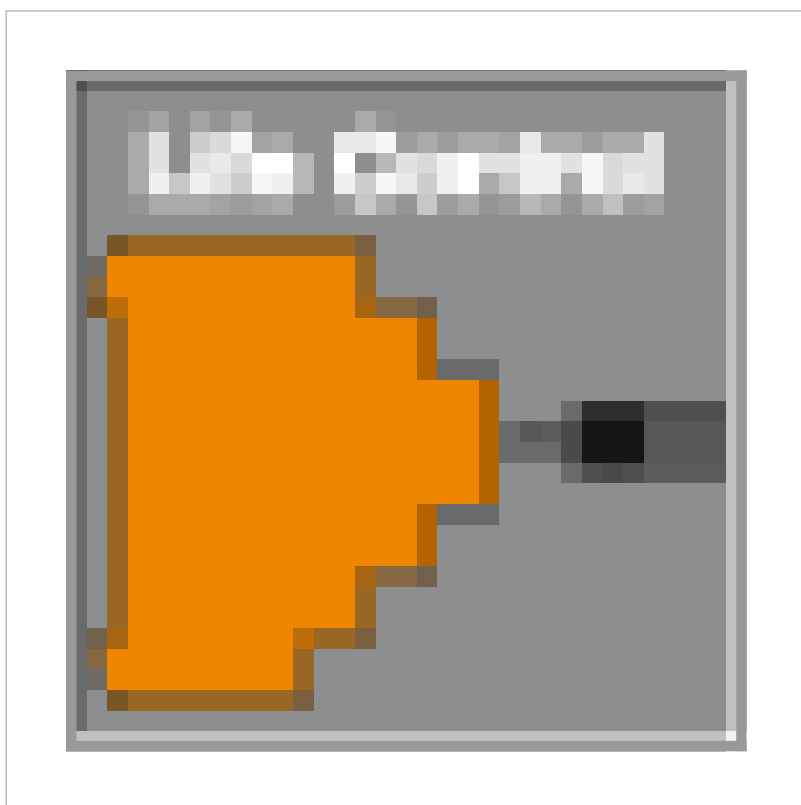


Article number		5098442	5098446	5098450
Maximum continuous operating voltage Vc/AC	V	41	41	41
Maximum continuous voltage Vc/DC	V	58	58	58
Lightning protection Zone LPZ		0→3	0→3	0→3
Number of poles		2	3	4
Rated current	$I_L$ A	0.58	0.58	0.58
Serial impedance per path	$\Omega$	$2,35 \pm 5 \%$	$2,35 \pm 5 \%$	$2,35 \pm 5 \%$
Impulse durability line-earth		C2: 5 kV / 2,5 kA	C2: 5 kV / 2,5 kA	C2: 5 kV / 2,5 kA
Total Impulse durability (10/350)	kA	D1: 1	D1: 1,5	D1: 2
Total arrester peak current (8/20)	kA	5	7,5	10
Voltage protection level line-line	V	95	95	95
Voltage protection level line-earth	V	800	800	800
Shielding connection available		Yes	Yes	Yes
Shield connection		Direct	Direct	Direct
Temperature range	$\theta$ °C	-40 - +80	-40 - +80	-40 - +80
Connection cross-section, flexible	mm <sup>2</sup>	2.5	2.5	2.5
Connection cross-section, multi-wire	mm <sup>2</sup>	1.5	1.5	1.5

## Connection-/Circuit diagram

Connection cross-section, rigid	mm <sup>2</sup>	2.5	2.5	2.5
Testing standard		IEC 61643-21	IEC 61643-21	IEC 61643-21

## Legend



Underwriters Laboratories Inc., USA



5-year warranty



Communautés Européennes, EC declaration of conformity according to EC directives



Measuring, controlling and regulating systems

## Legend



LifeControl

LPZ  
1→3

Transition from LPZ 1 to LPZ 3